

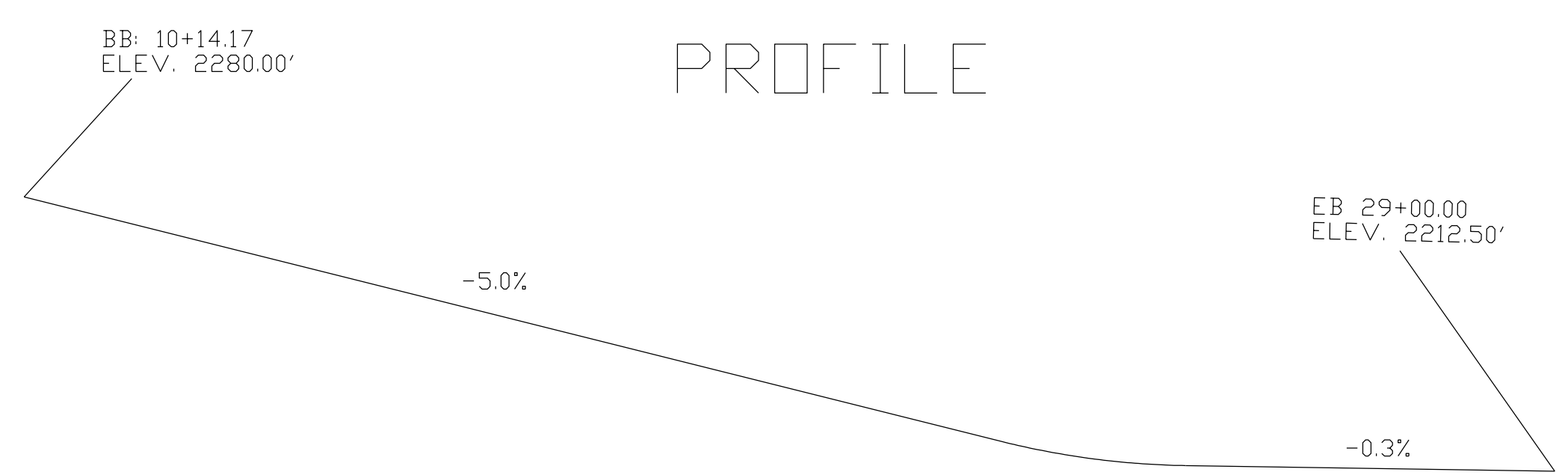
Dist	COUNTY	ROUTE	POST MILES TOTAL PROJECT	SHEET No.	TOTAL SHEETS
08	RIV	79	40.45	1	3

DR. YONGPING ZHANG
 REGISTERED CIVIL ENGINEER DATE _____
 REGISTERED CIVIL ENGINEER DATE _____
 PLANS APPROVAL DATE _____

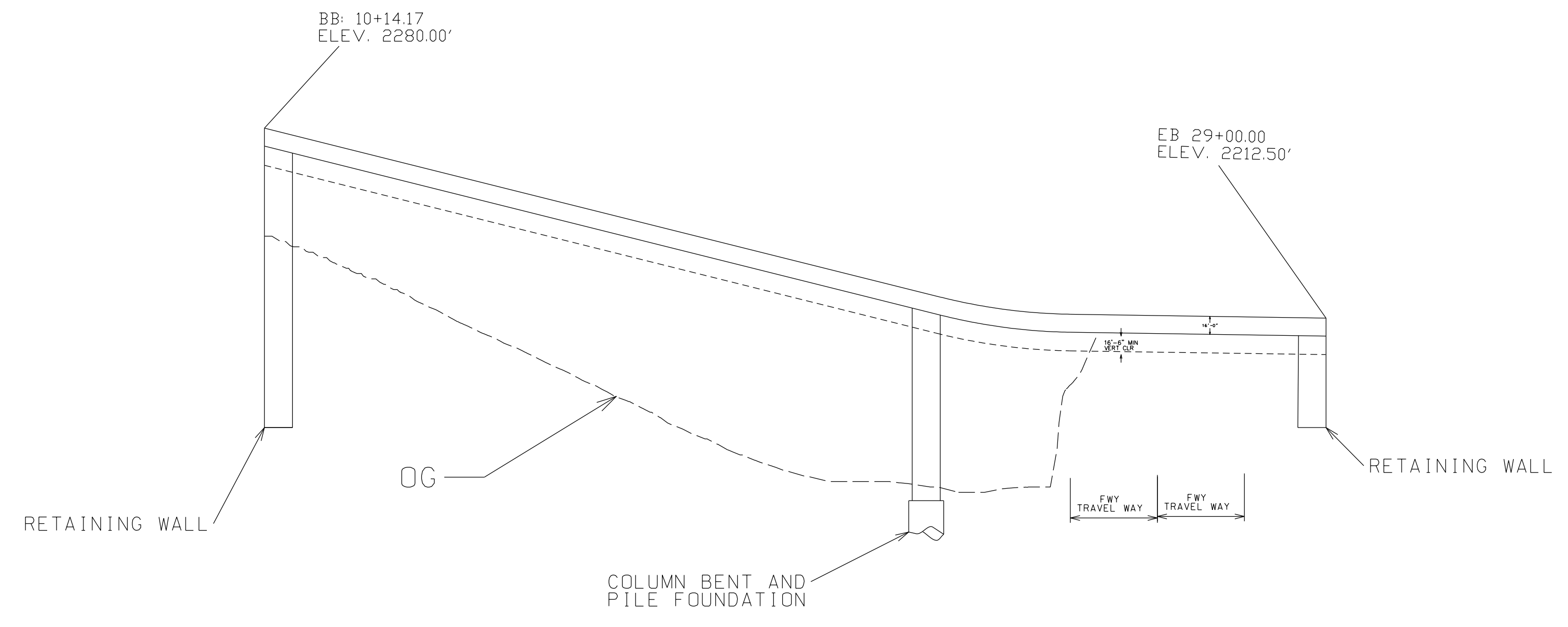
WEN CHENG
 No. 72602
 Exp 06-30-22
 CIVIL
 STATE OF CALIFORNIA

THE STATE OF CALIFORNIA OR ITS OFFICERS OR AGENTS SHALL NOT BE RESPONSIBLE FOR THE ACCURACY OR COMPLETENESS OF SCANNED COPIES OF THIS PLAN SHEET.

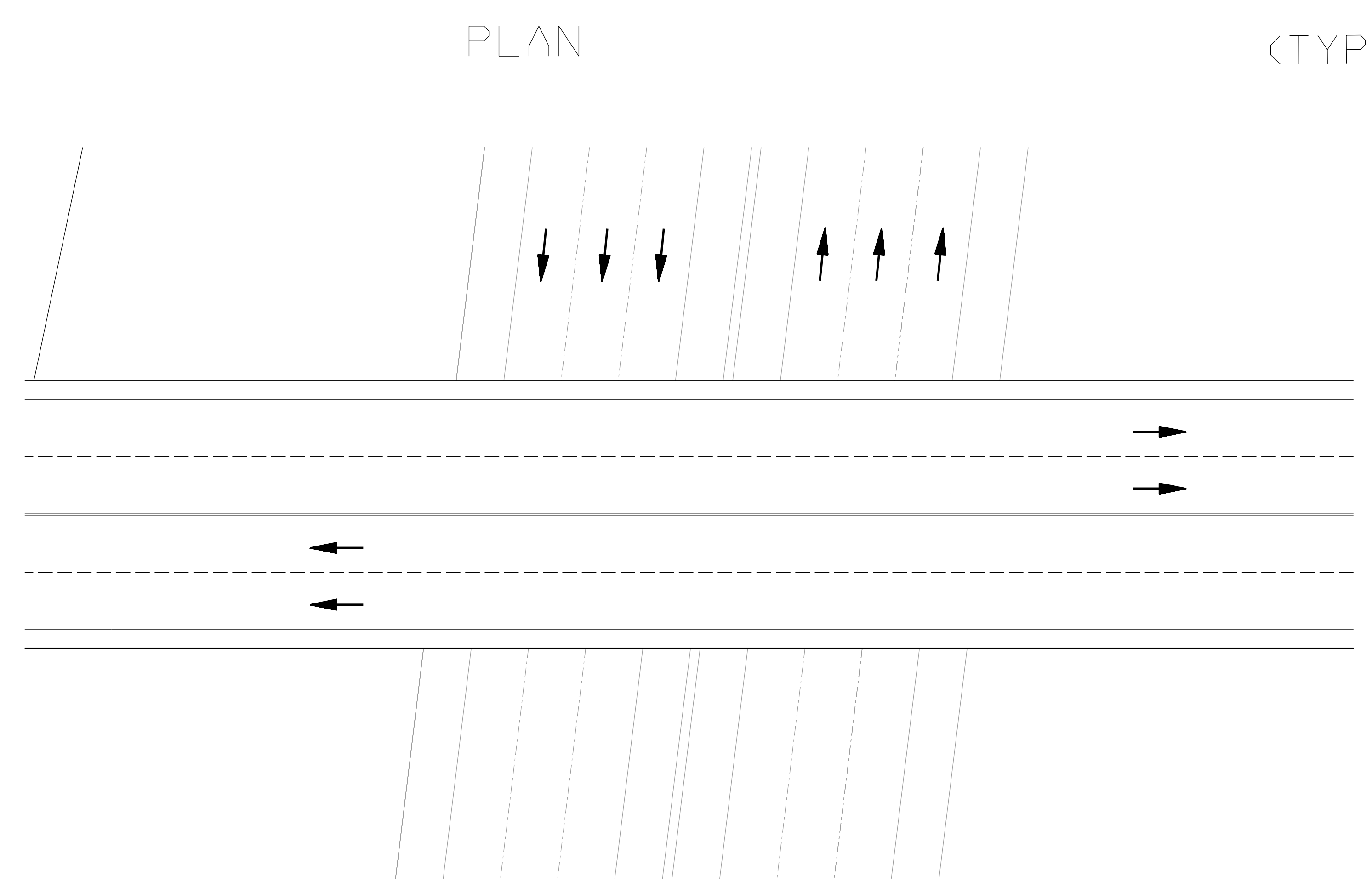
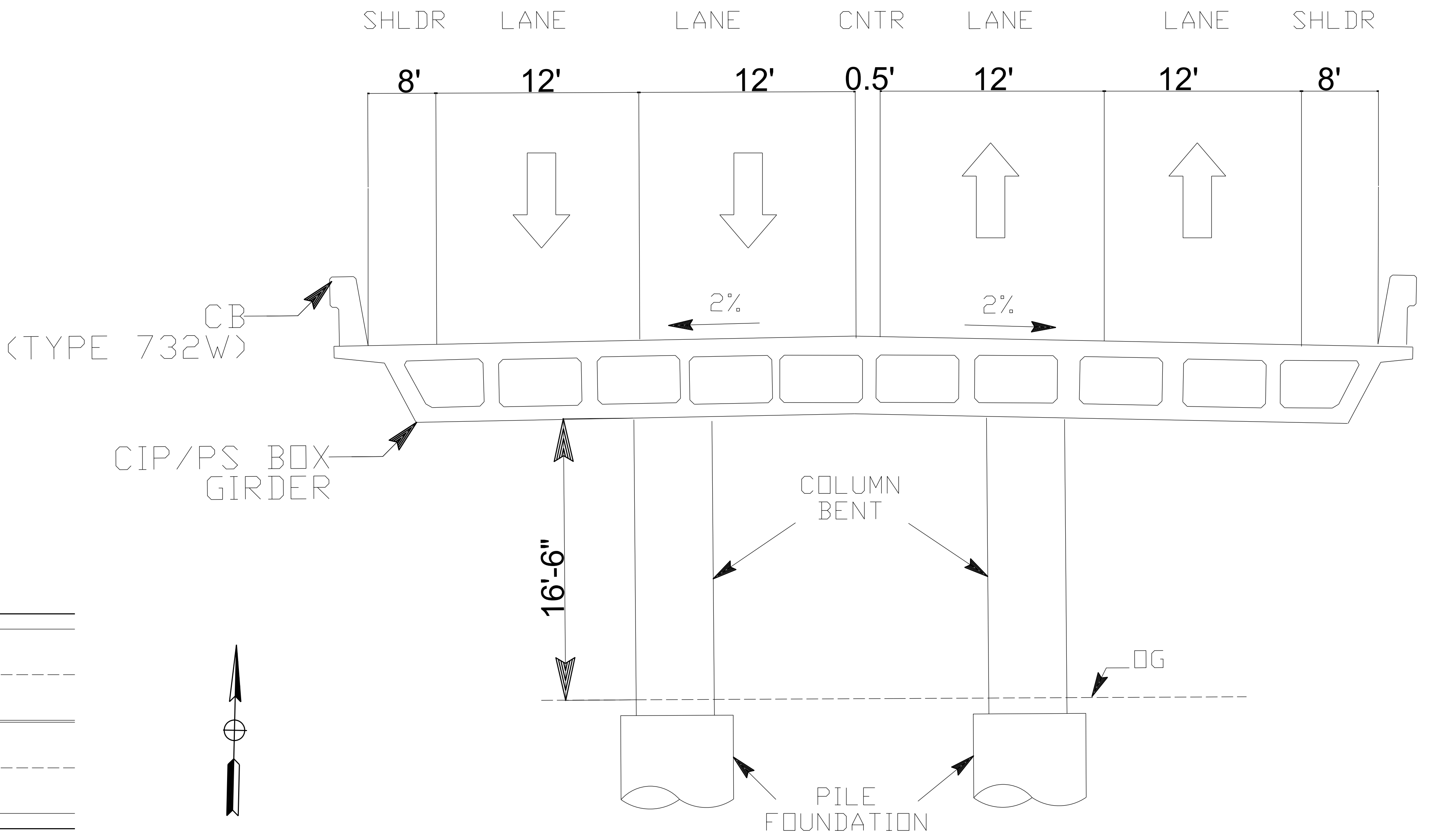
CALIFORNIA STATE POLYTECHNIC
 UNIVERSITY POMONA
 3801 W. TEMPLE AVE.
 POMONA, CA 91768



ELEVATION



TYPICAL SECTION LAMB CANYON



PLAN

PROJECT MANAGERS:		PROJECT ENGINEERS						
MATTHEW JACOBSON	CESAR HERNANDEZ	MELISSA WANG	MICHELLE YEH	DOUGLAS ANNAND	BORNA ASAGARI	JOSELYN PERALES	CALLUM MERCHANT	
NICOLE AQUINO	BEN COSTELLO	NA LEE	ARODI GARCIA	RAYMOND LI	MIGUEL DBREGON	CONG CHEN		

STATE ROUTE 79 SENIOR PROJECT
 ADVANCED PLANNING STUDY DESIGN
 LAMB CANYON RD: SPREAD DIAMOND ALTERNATIVE
 SCALE 1"=120'

STATE OF CALIFORNIA - DEPARTMENT OF TRANSPORTATION
 CONSULTANT FUNCTIONAL SUPERVISOR
 CONSULTANT SUPERVISOR
 REVISOR
 CHECKED BY
 DESIGNED BY
 DATE REVISOR
 DATE CHECKED BY
 DATE DESIGNED BY

Dist	COUNTY	ROUTE	POST MILES TOTAL PROJECT	SHEET No.	TOTAL SHEETS
08	RIV	79		2	3

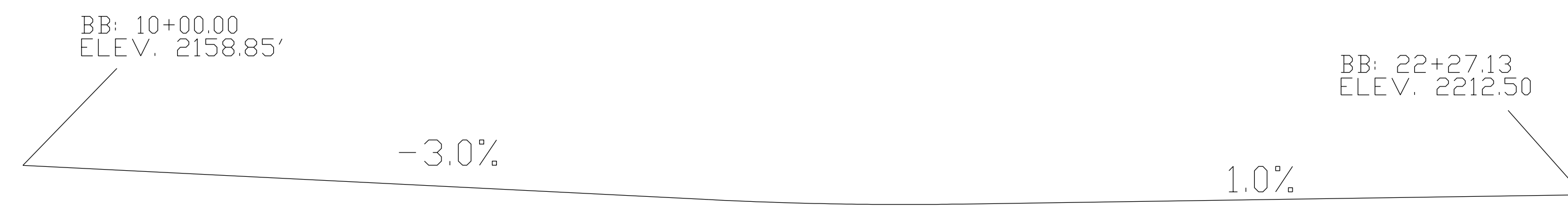
DR. YONGPING ZHANG
 REGISTERED CIVIL ENGINEER DATE _____
 REGISTERED CIVIL ENGINEER DATE _____
 PLANS APPROVAL DATE _____

WEN CHENG
 No. 72602
 Exp. 06-30-22
 CIVIL
 STATE OF CALIFORNIA

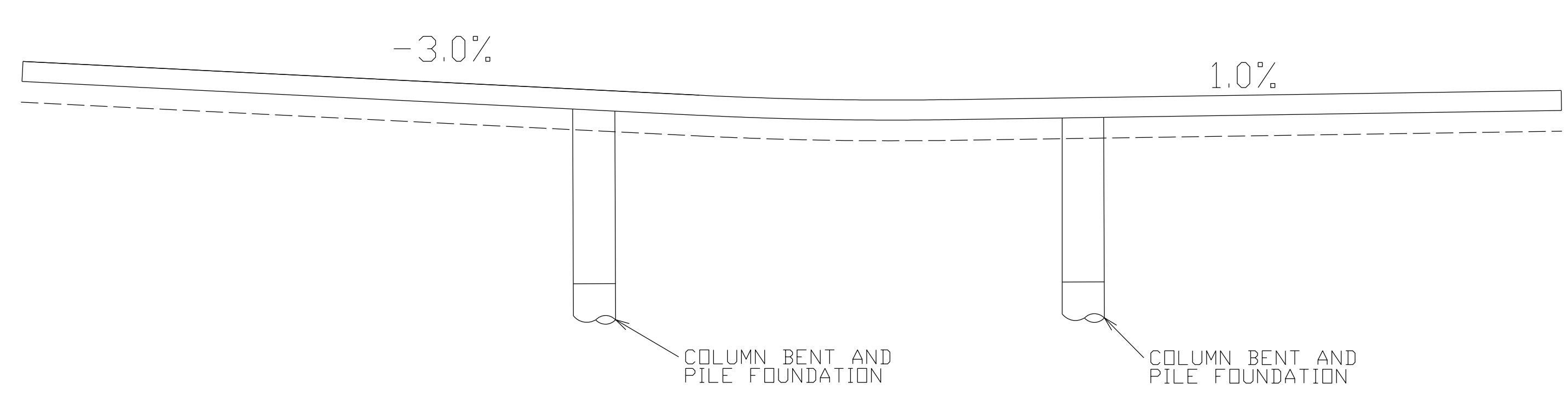
THE STATE OF CALIFORNIA OR ITS OFFICERS OR AGENTS SHALL NOT BE RESPONSIBLE FOR THE ACCURACY OR COMPLETENESS OF SCANNED COPIES OF THIS PLAN SHEET.

CALIFORNIA STATE POLYTECHNIC
 UNIVERSITY POMONA
 3801 W. TEMPLE AVE.
 POMONA, CA 91768

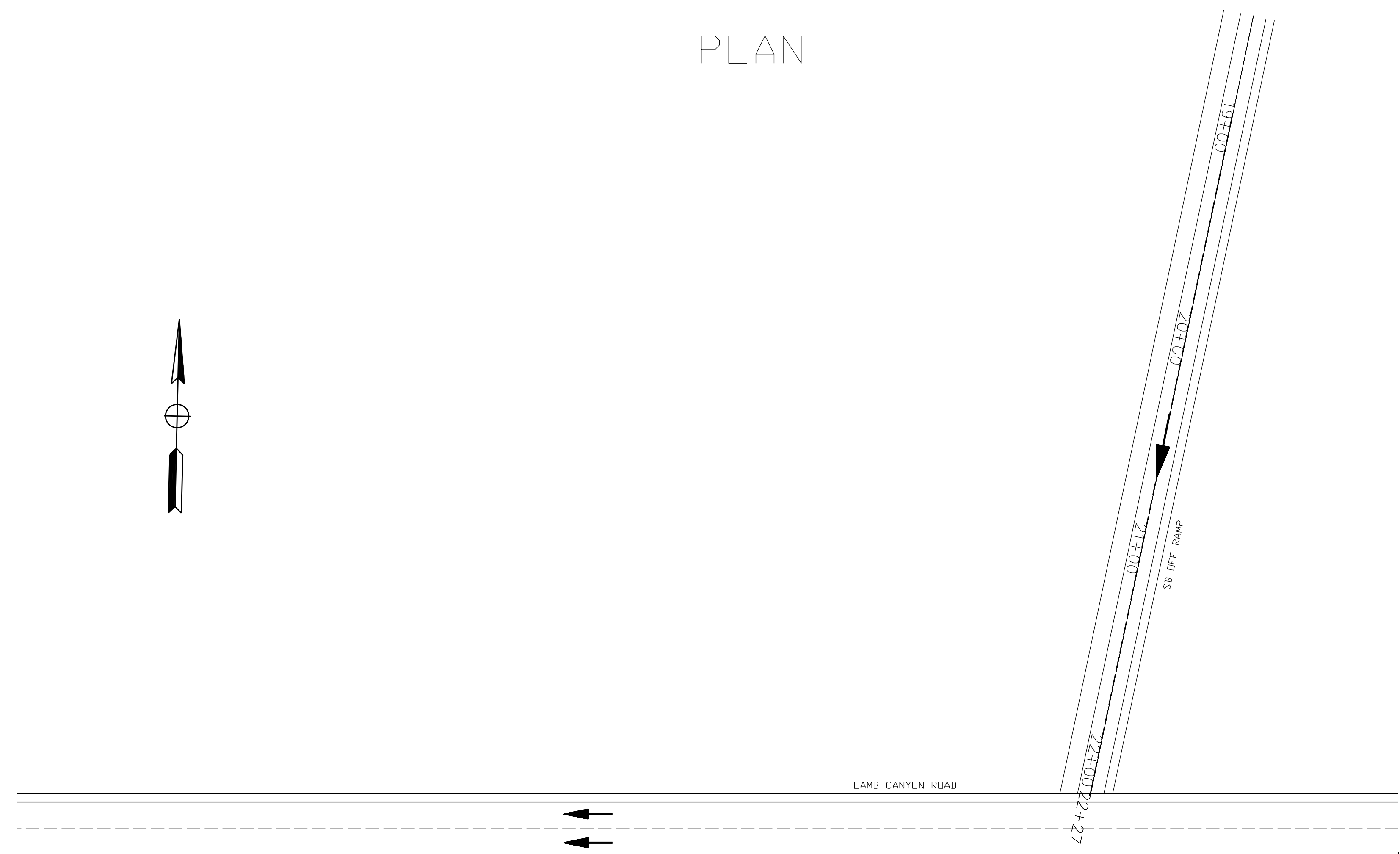
PROFILE



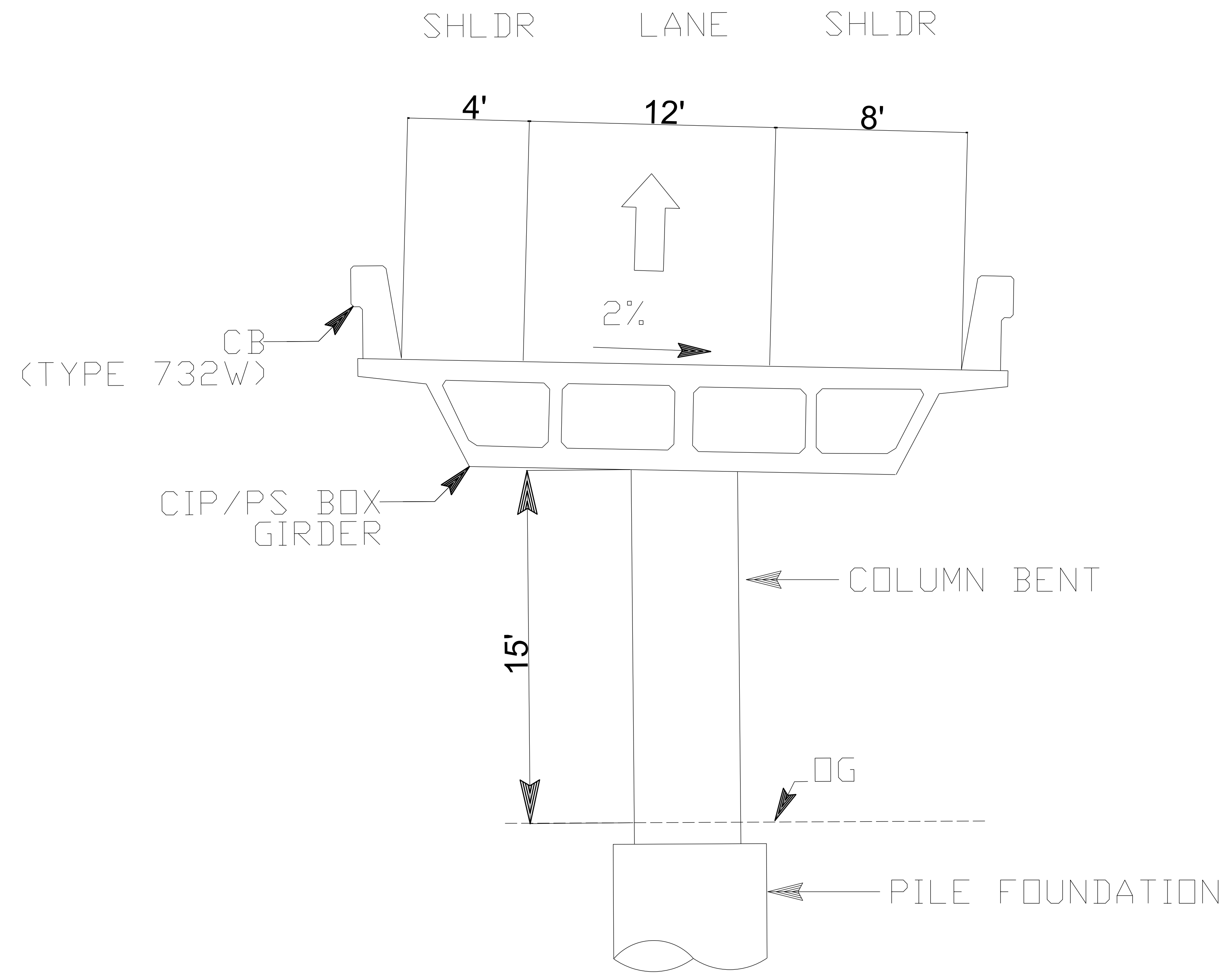
ELEVATION



PLAN



TYPICAL SECTION
 SB OFF-RAMP



STATE ROUTE 79 SENIOR PROJECT
 ADVANCED PLANNING STUDY DESIGN
 SOUTHBOUND OFF-RAMP: SPREAD DIAMOND ALTERNATIVE
 SCALE 1"=120'

STATE OF CALIFORNIA - DEPARTMENT OF TRANSPORTATION
 CONSULTANT FUNCTIONAL SUPERVISOR
 CONSULTANT
 PROJECT MANAGERS:
 MATTHEW JACOBSON
 NICOLE AQUINO

REVISOR
 DATE
 DESIGNED BY
 CHECKED BY

PROJECT ENGINEERS
 DOUGLAS ANNAND
 BORNA ASAGARI
 JOSELYN PERALES
 CALLUM MERCHANT
 MELISSA WANG
 MICHELLE YEH
 ARODI GARCIA
 RAYMOND LI
 MIGUEL OBREGON
 CONG CHEN
 CESAR HERNANDEZ
 BEN COSTELLO
 NA LEE

LAST REVISION

DIST	COUNTY	ROUTE	POST MILES TOTAL PROJECT	SHEET No.	TOTAL SHEETS
08	RIV	79	40.45	3	3

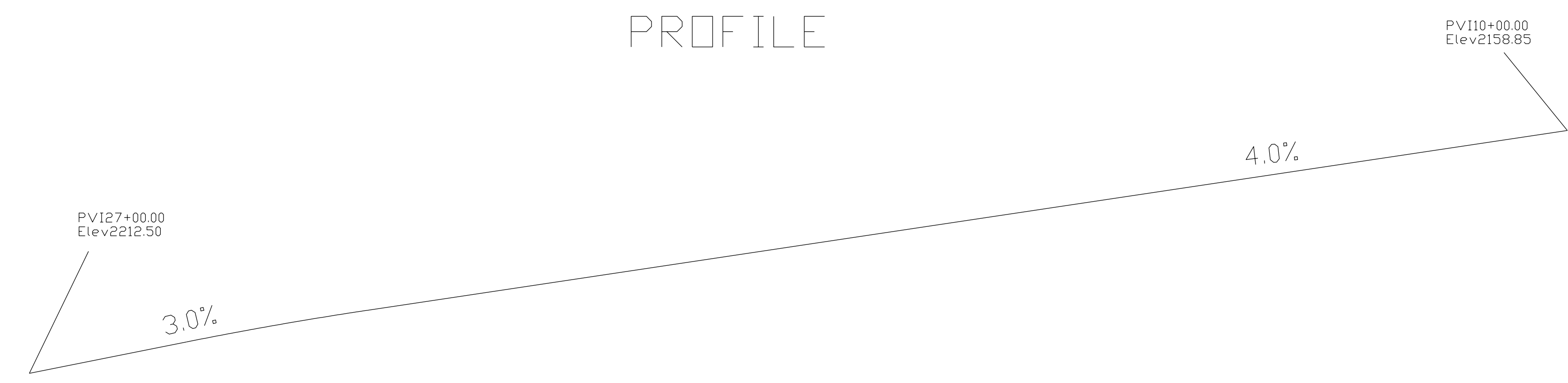
DR. YONGPING ZHANG
REGISTERED CIVIL ENGINEER DATE _____
REGISTERED CIVIL ENGINEER DATE _____
PLANS APPROVAL DATE _____

WEN CHENG
No. 72602
Exp. 06-30-22
CIVIL
STATE OF CALIFORNIA

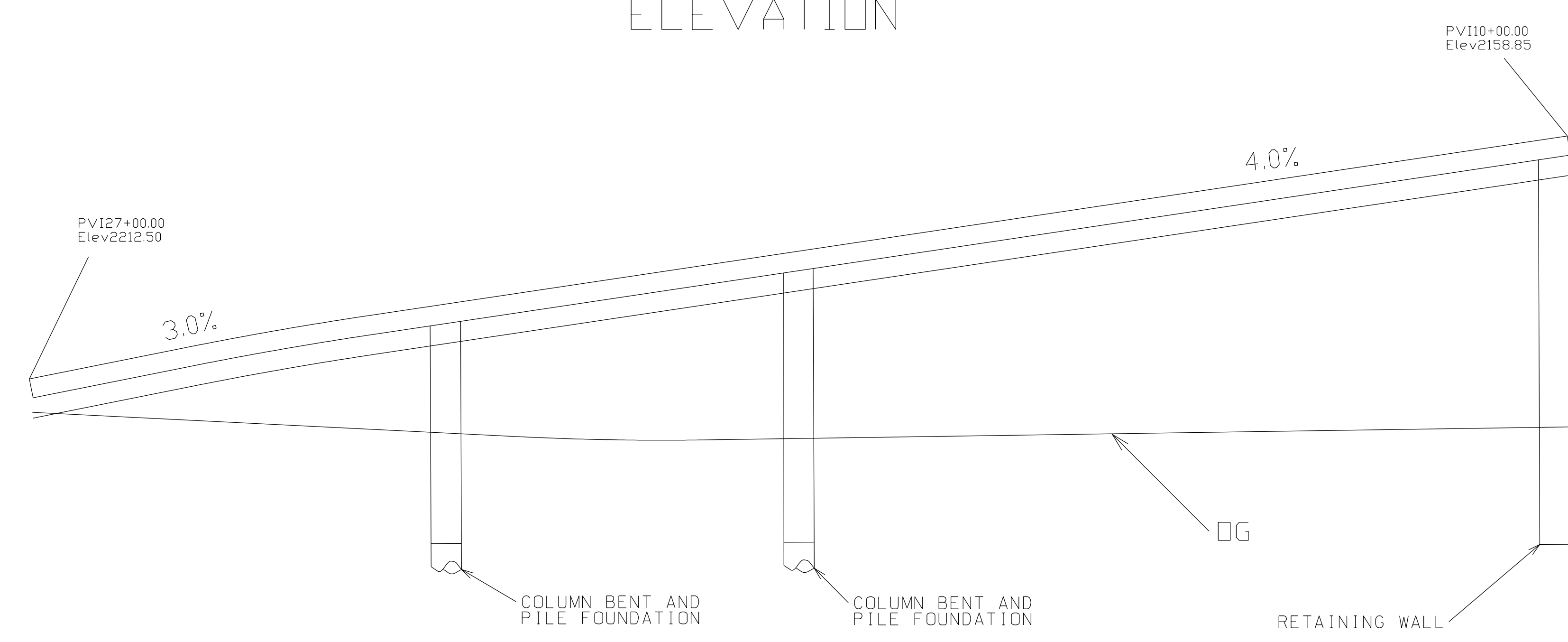
THE STATE OF CALIFORNIA OR ITS OFFICERS OR AGENTS SHALL NOT BE RESPONSIBLE FOR THE ACCURACY OR COMPLETENESS OF SCANNED COPIES OF THIS PLAN SHEET.

CALIFORNIA STATE POLYTECHNIC
UNIVERSITY POMONA
3801 W. TEMPLE AVE.
POMONA, CA 91768

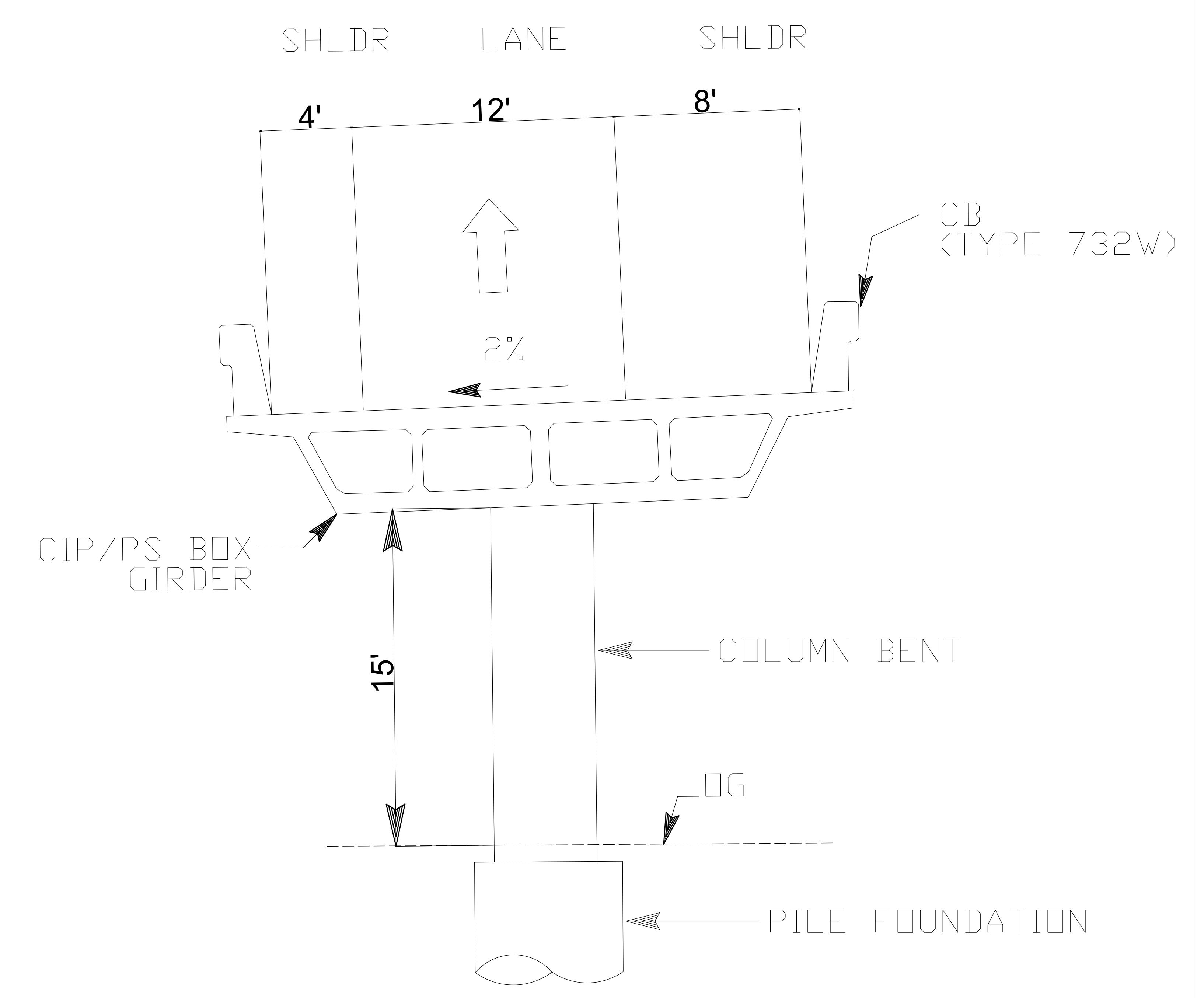
PROFILE



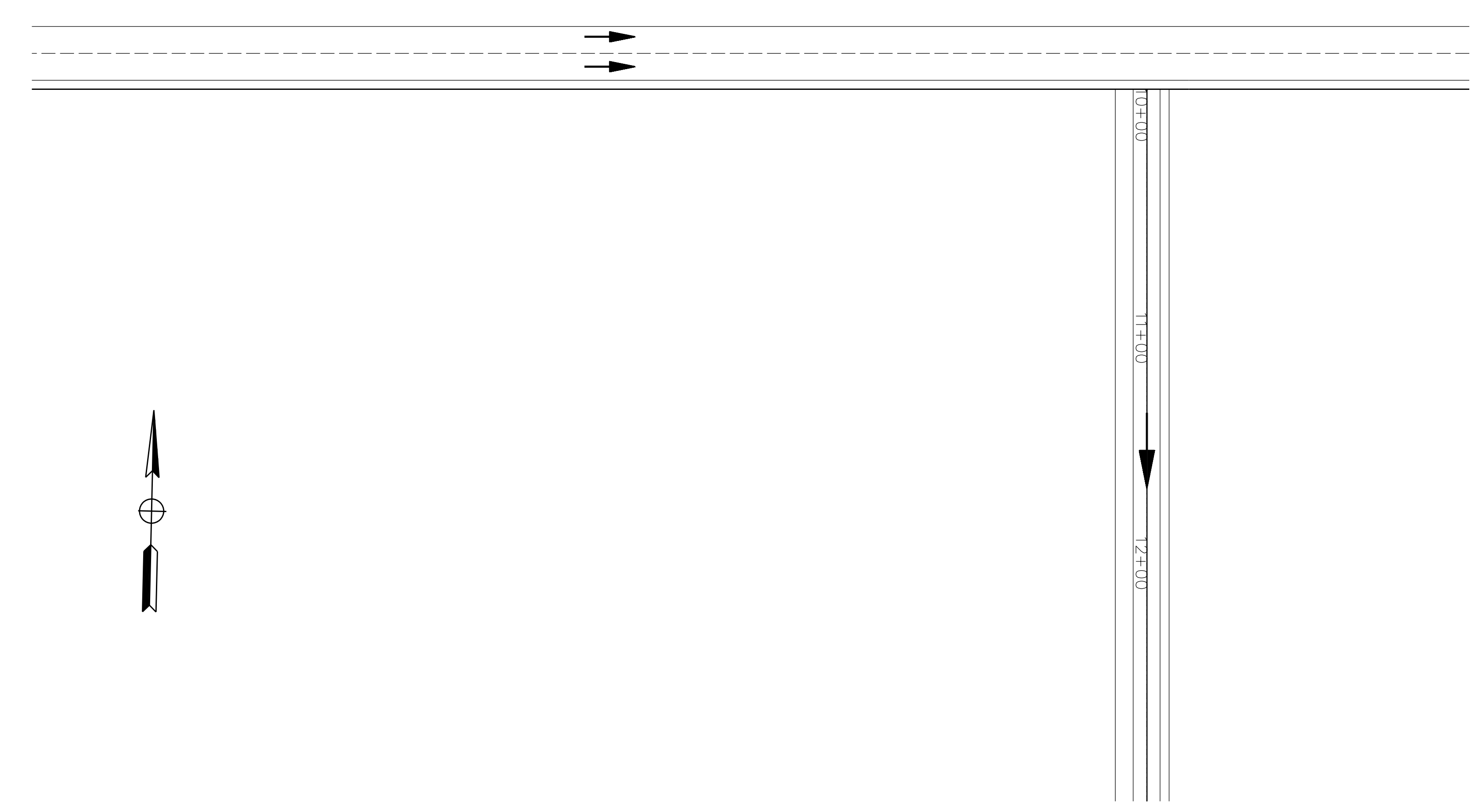
ELEVATION



TYPICAL SECTION SB ON-RAMP



PLAN



STATE ROUTE 79 SENIOR PROJECT
ADVANCED PLANNING STUDY DESIGN
SOUTHBOUND ON-RAMP: SPREAD DIAMOND ALTERNATIVE
SCALE 1"=120'

STATE OF CALIFORNIA - DEPARTMENT OF TRANSPORTATION CONSULTANT FUNCTIONAL SUPERVISOR

PROJECT MANAGERS:		PROJECT ENGINEERS						
MATTHEW JACOBSON	CESAR HERNANDEZ	MELISSA WANG	MICHELLE YEH	DOUGLAS ANNAND	BORNA ASAGARI	JOSELYN PERALES	CALLUM MERCHANT	
NICOLE AQUINO	BEN COSTELLO	NA LEE	ARDDI GARCIA	RAYMOND LI	MIGUEL OBREGON	CONG CHEN		

BORDER LAST REVISED 2/19/2021

DGN FILE => APSBORDER.DGN



UNIT 4225

PROJECT NUMBER & PHASE

1200001801

LAST REVISION