

Dist	COUNTY	ROUTE	POST MILES TOTAL PROJECT	SHEET No.	TOTAL SHEETS
8	RIVERSIDE	SR-79		1	1

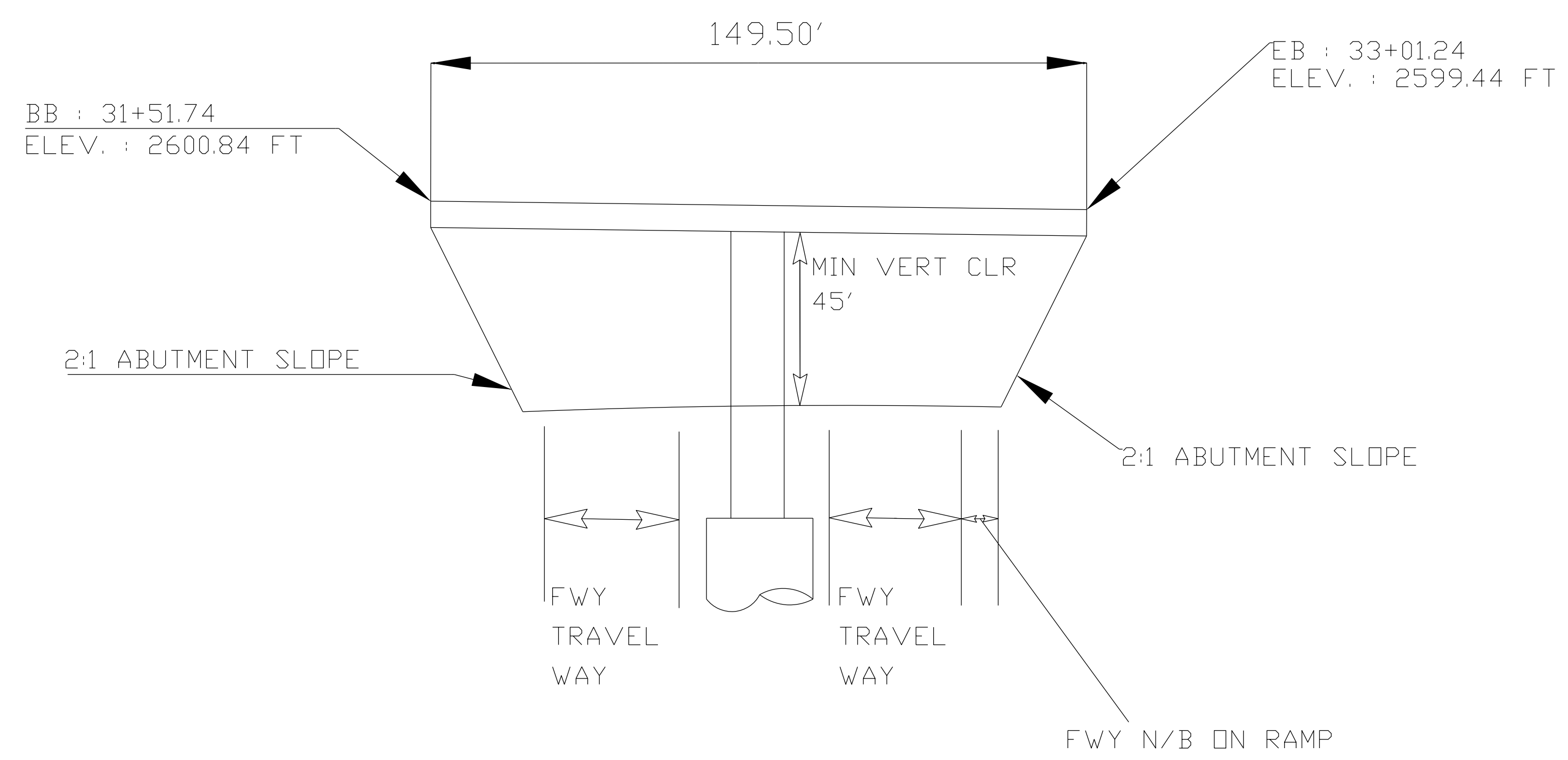
DR. WEN CHENG REGISTERED CIVIL ENGINEER	DATE
PLANS APPROVAL DATE	

REGISTERED PROFESSIONAL ENGINEER
 DR. WEN CHENG
 No. 72602
 Exp. 6/30/2022
 CIVIL
 STATE OF CALIFORNIA

CALIFORNIA STATE POLYTECHNIC UNIVERSITY POMONA 3801 W. TEMPLE AVE. POMONA, CA 91768	CAL POLY POMONA SENIOR PROJECT 2020-2021
---	---

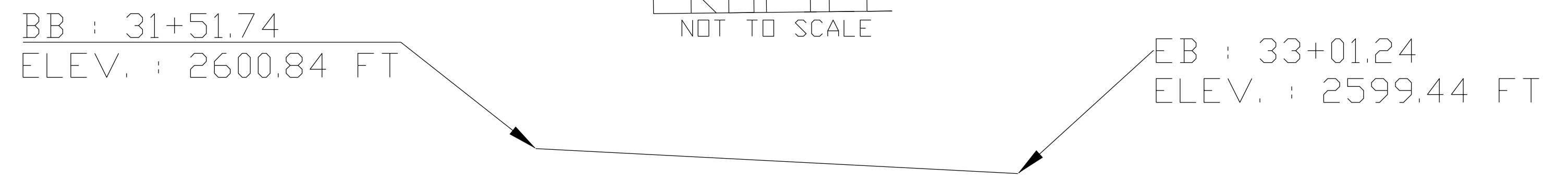
ELEVATION

1" : 25'



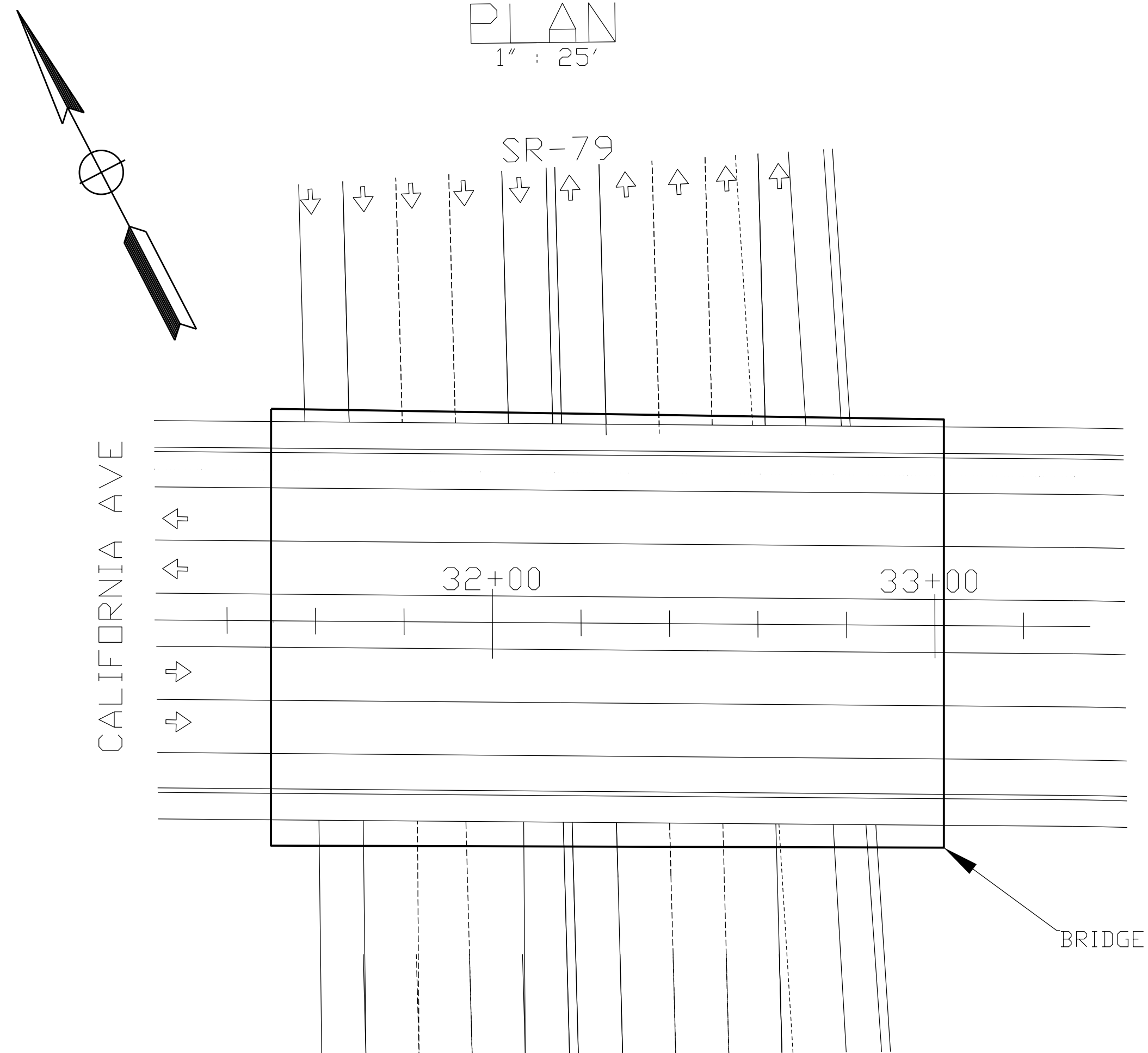
PROFILE

NOT TO SCALE



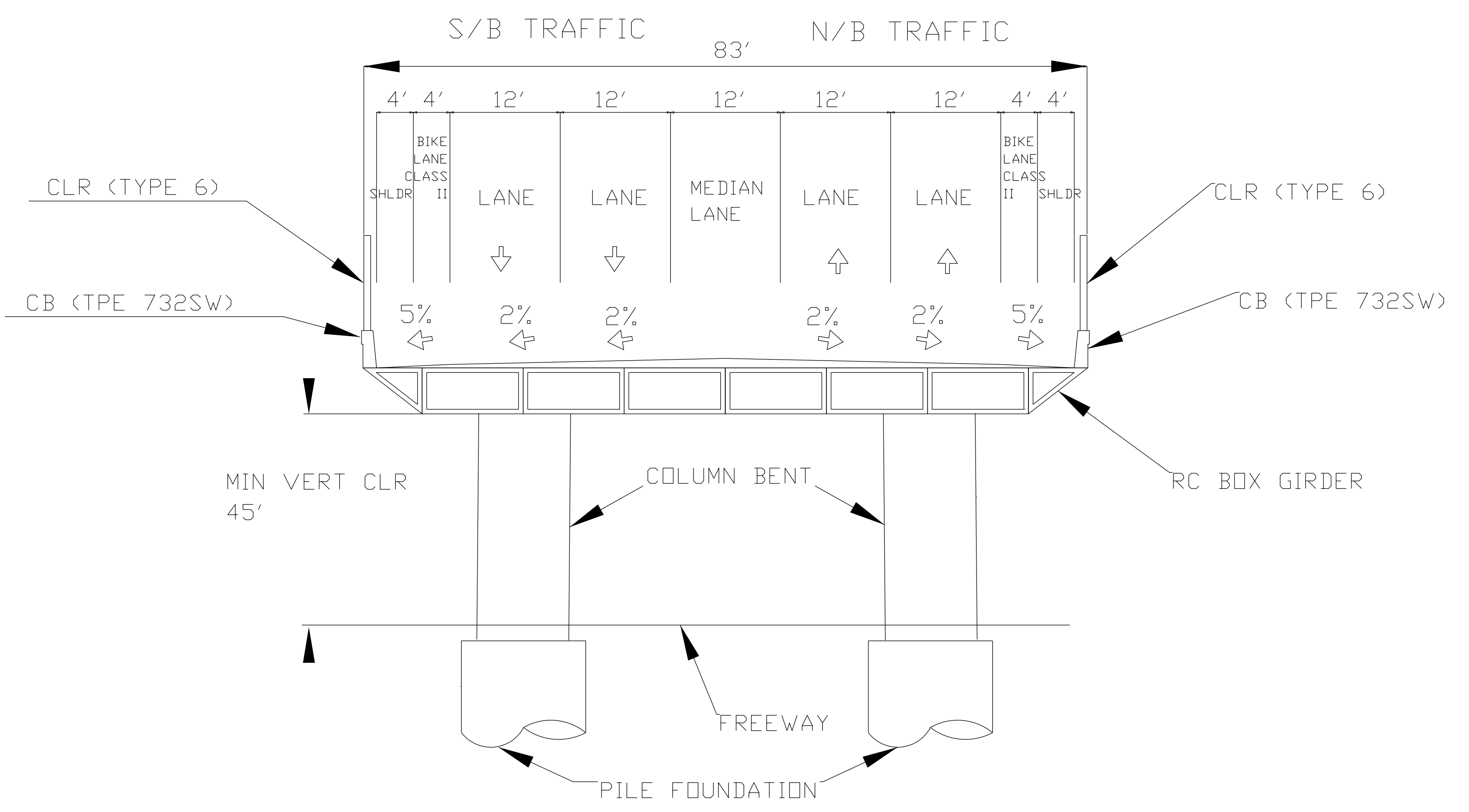
PLAN

1" : 25'

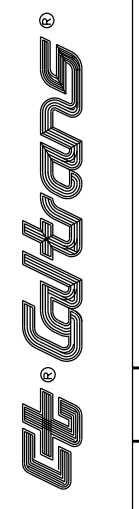


TYPICAL SECTION

1" : 10'



STATE OF CALIFORNIA - DEPARTMENT OF TRANSPORTATION
 CONSULTANT FUNCTIONAL SUPERVISOR
 CHECKED BY
 REVISOR BY
 DATE REVISOR
 CONSULTANT DESIGN FIRM
 CAL POLY POMONA
 PROJECT MANAGERS
 MATTHEW JACOBSON BEN COSTELLO ALAA ABUALIA ASIF RAHMAN DEAN ACRE KAREN GREGORIO ROBLES NAYELLI DIAZ RAYMOND LI
 NICOLE AQUINIO CESAR HERNANDEZ JOSELYN PERALES CALLUM MERCHANT CONG CHEN NA LEE ARODI GARCIA MIGUEL OBREGON
 PROJECT ENGINEERS



ADVANCED PLANNING STUDY
 ALTERNATIVE #3: HYBRID
 CALIFORNIA STATE POLYTECHNIC UNIVERSITY, POMONA
 TRANSPORTATION SENIOR DESIGN PROJECT