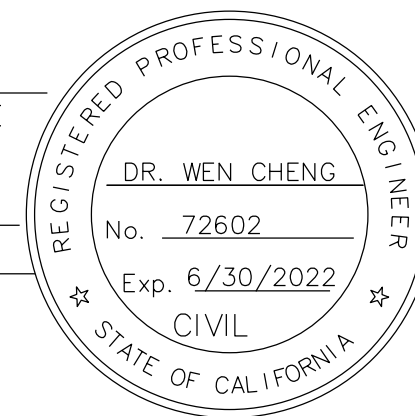


DIST	COUNTY	ROUTE	POST MILES TOTAL PROJECT	SHEET No.	TOTAL SHEETS
8	RIVERSIDE	SR-79		1	1

DR. WEN CHENG
REGISTERED CIVIL ENGINEER DATE

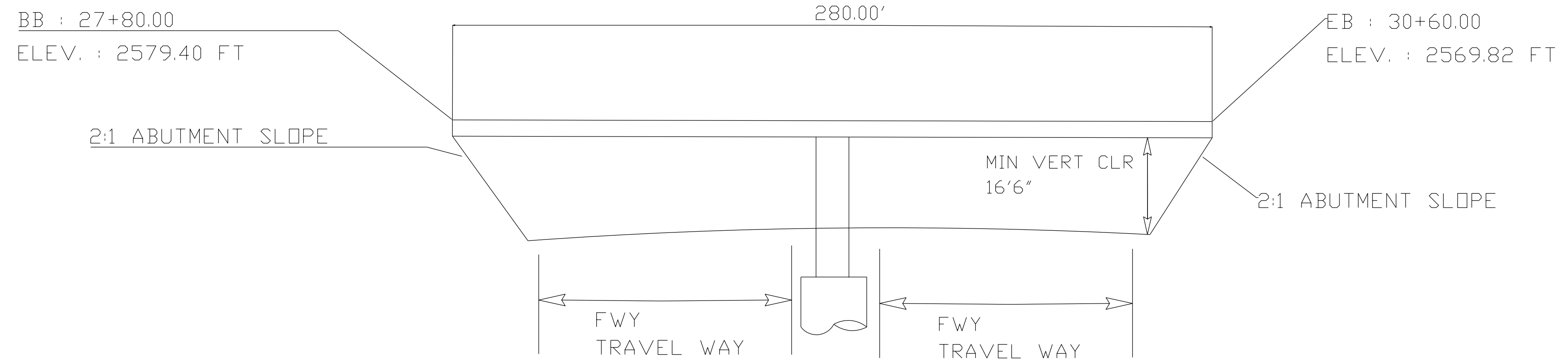


PLANS APPROVAL DATE

CAL POLY POMONA
SENIOR PROJECT
2020-2021

ELEVATION

1" : 25'



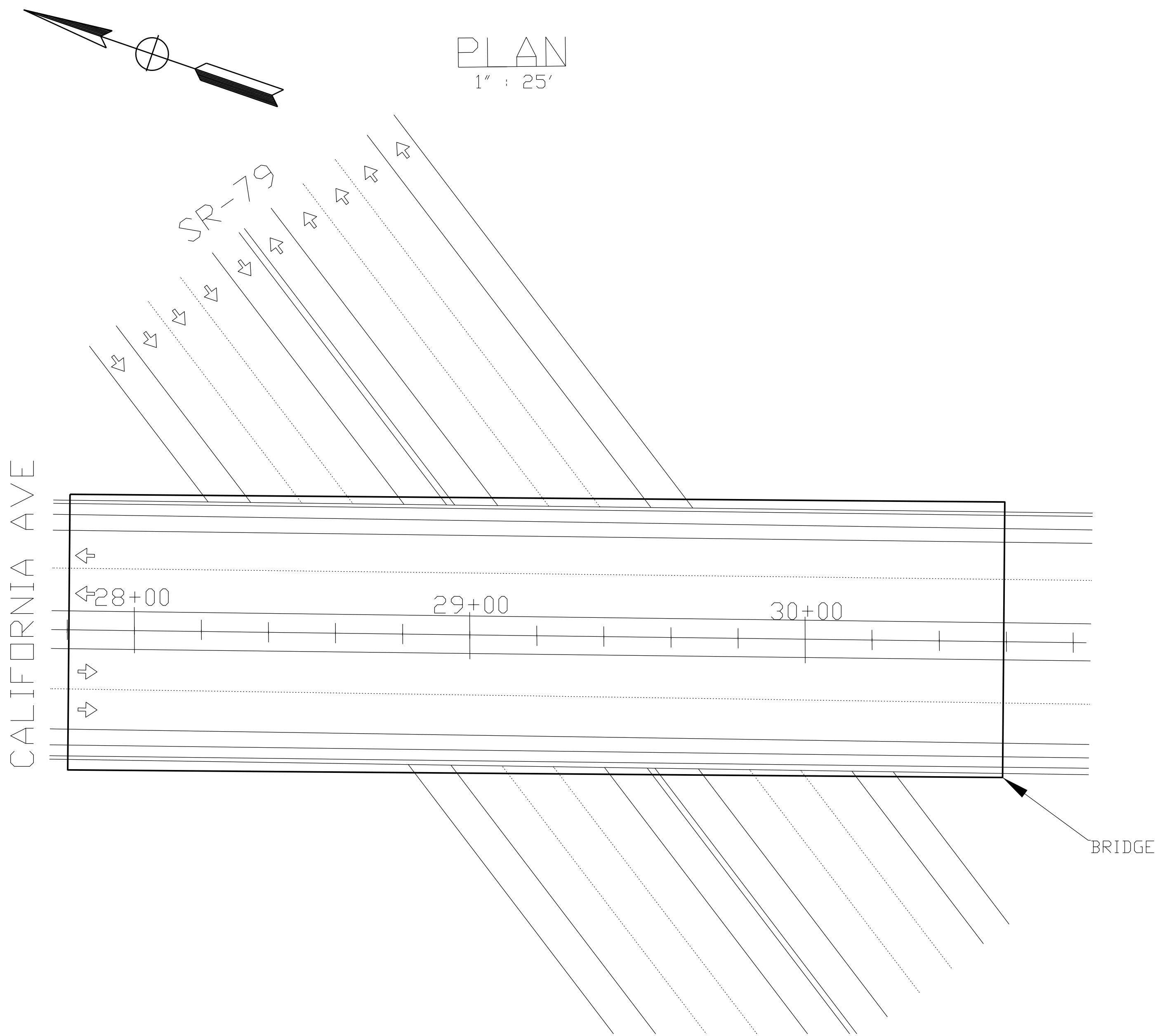
PROFILE

NOT TO SCALE



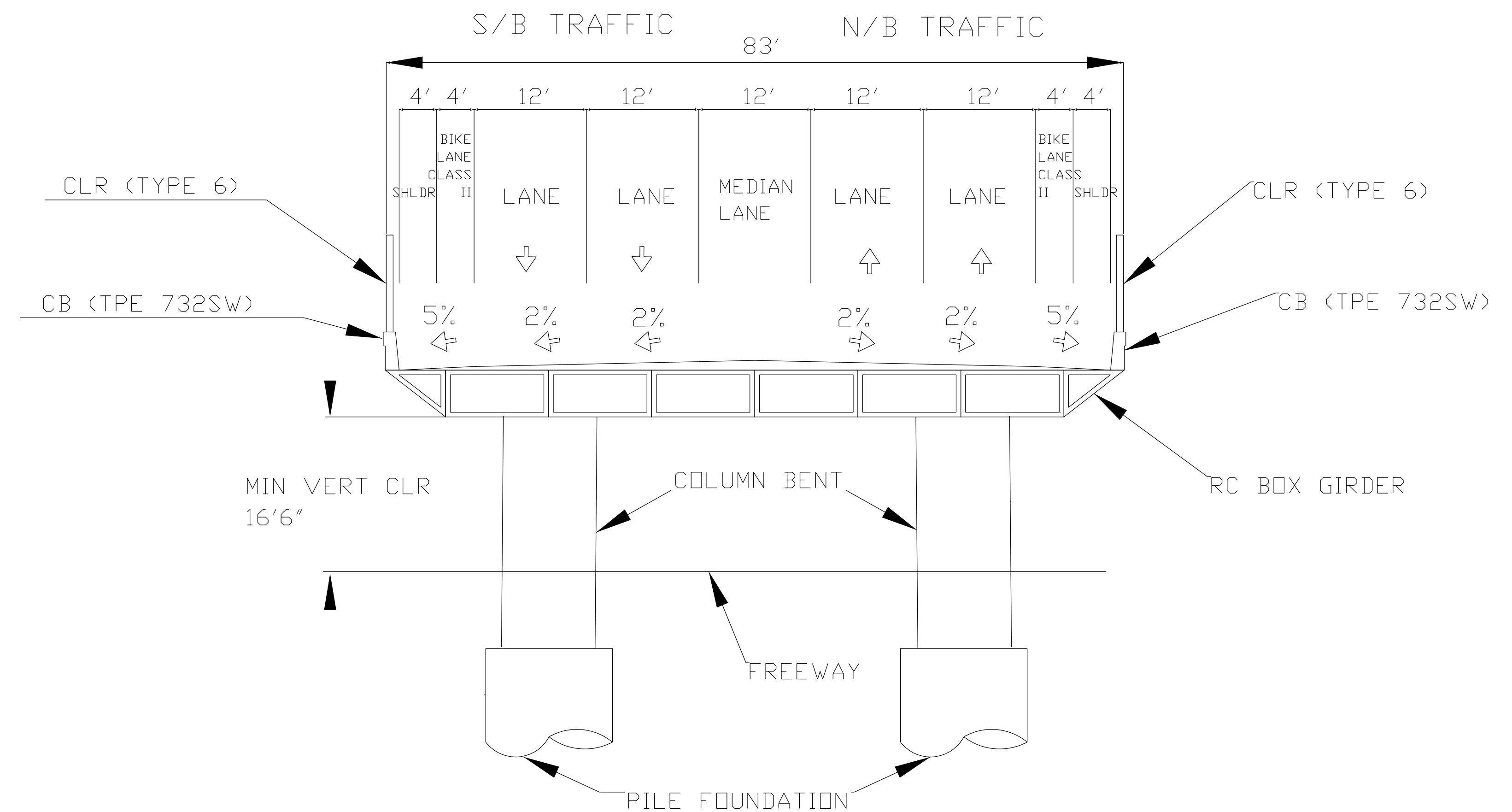
PLAN

1" : 25'



TYPICAL SECTION

1" : 10'



STATE OF CALIFORNIA - DEPARTMENT OF TRANSPORTATION
 CONSULTANT FUNCTIONAL SUPERVISOR
 CHECKED BY
 REVISOR BY
 DATE REVISOR
 CALtrans

PROJECT MANAGERS		PROJECT ENGINEERS						
CONSULTANT DESIGN FIRM	MATTHEW JACOBSON	BEN COSTELLO	ALAA ABUALIA	ASIF RAHMAN	DEAN ACRE	KAREN GREGORIO ROBLES	NAYELLI DIAZ	RAYMOND LI
CAL POLY POMONA	NICOLE AQUINIO	CESAR HERNANDEZ	JOSELYN PERALES	CALLUM MERCHANT	CONG CHEN	NA LEE	ARODI GARCIA	MIGUEL OBREGON

ADVANCED PLANNING STUDY
ALTERNATIVE #2: DIAMOND
CALIFORNIA STATE POLYTECHNIC UNIVERSITY, POMONA
TRANSPORTATION SENIOR DESIGN PROJECT